



# MANUAL SWEEPER GUIDE

## Unisweeper

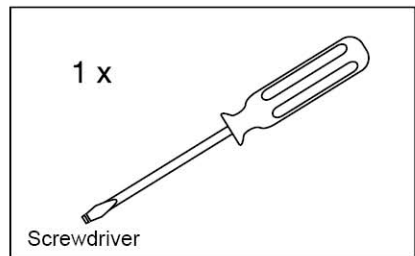
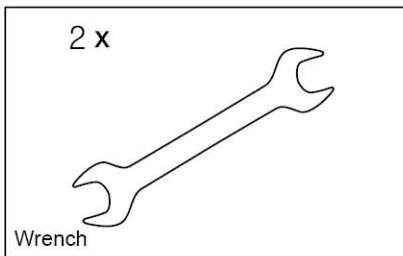
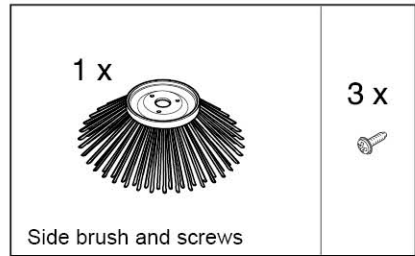
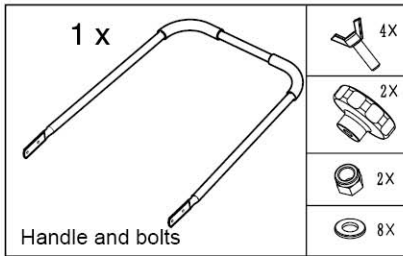


Please make sure you read the instruction manual below before use to ensure proper operation.

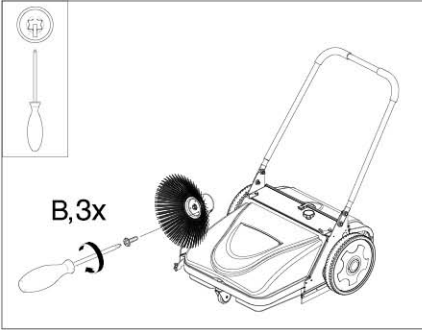
## SPECIFICATION

|                                      |                       |
|--------------------------------------|-----------------------|
| Working width                        | 700±10mm              |
| Container Capacity                   | 25L+4L                |
| Maximum Theoretical Area Performance | 2500m <sup>2</sup> /h |
| Net weight                           | 25.5kg                |
| Dimension                            | 1330x840x920mm        |
| Dimension (folded)                   | 890x790x385 mm        |

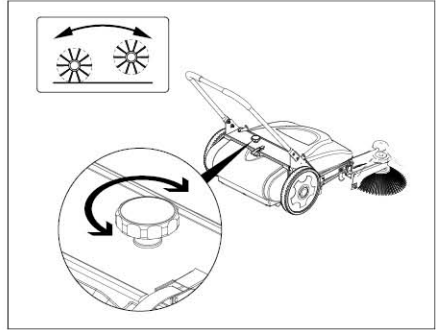
## STANDARD PRODUCTS AND SPARE PARTS IN THE BOX



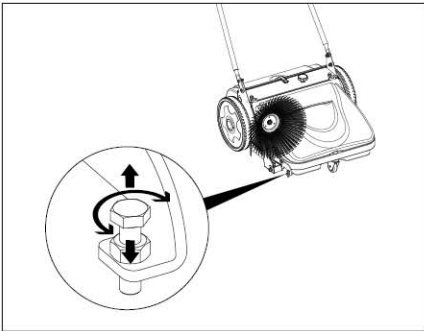
## HOW TO USE



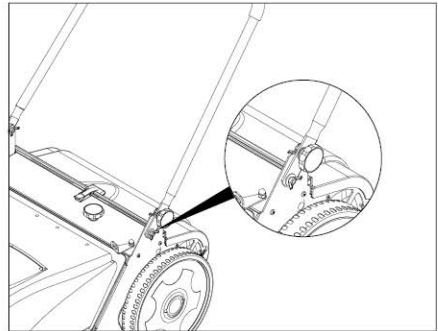
1. Three screws to set up side brush.



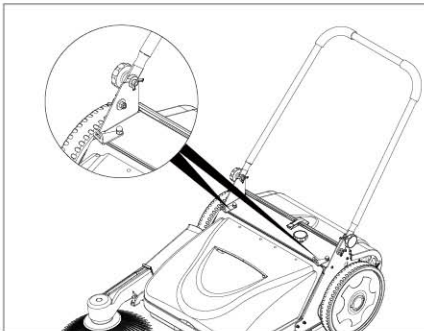
2. Main brush adjusting handle:  
Turn right to lower brush; turn left to lift brush.



3. Side brush height adjusting:  
Adjust side brush bolt.

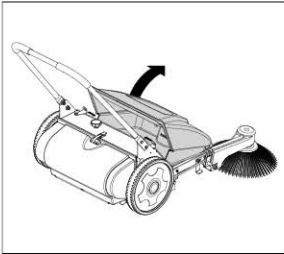


4. Adjust the angle of push rod.

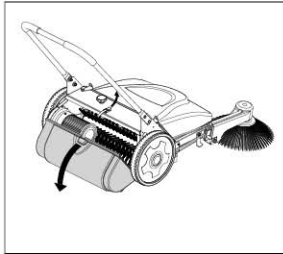


5. Lock container.

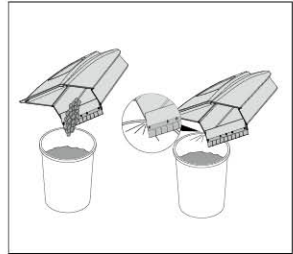
## CONTAINER DETACH AND EMPTY



1. Turn metal knob and lift to unload front container.



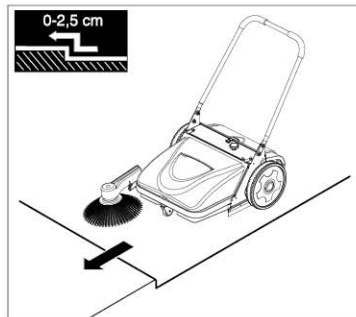
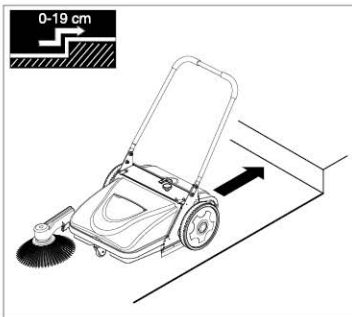
2. Open metal button then pull back to unload back container.



3. Crashing container is forbidden.

## OPERATION

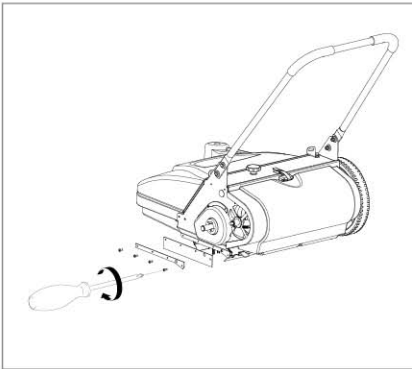
1. Hand push action. Extremely easy to use. Normal walking speed recommended.
2. Ideal for cleaning paths, halls, sidewalks and warehouses quickly and conveniently.
3. Suitable for fine dust and small pieces, like sand, grain, nails and bolts, iron filings, sawdust, papers.
4. The cleaning surface should be competitive flat and height difference  $\leq 2.5\text{CM}$ , Walking the step in the opposite direction  $\leq 19\text{CM}$



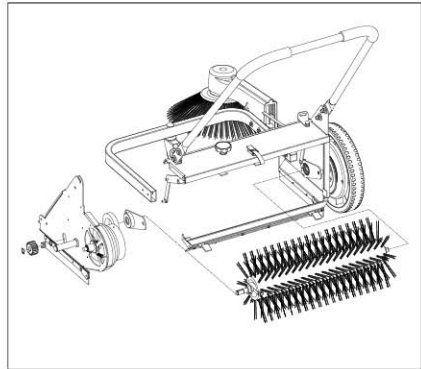
## PROBLEM TREATMENT

| Fault                          | Solution  |
|--------------------------------|---|
| Unsatisfactory sweeping result | Empty debris container<br>Adjust height of main brush/clean/replace<br>Adjust height of side brush/clean/replace<br>Check/replace the drive belt for side brush |

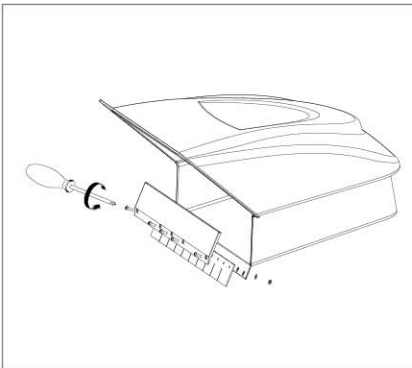
## PARTS INSTALLATION



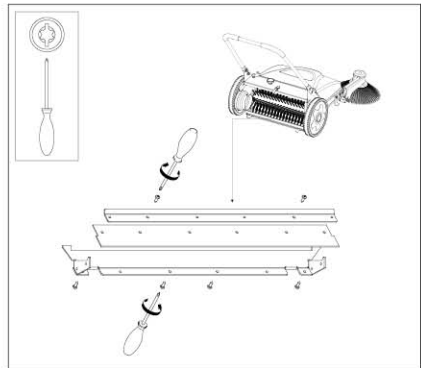
1. Set up the dustproof plates of both sides of main brush.



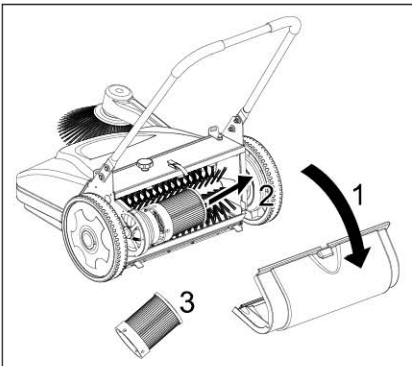
2. Main brush unload installing.



3. Install container seal baffle.

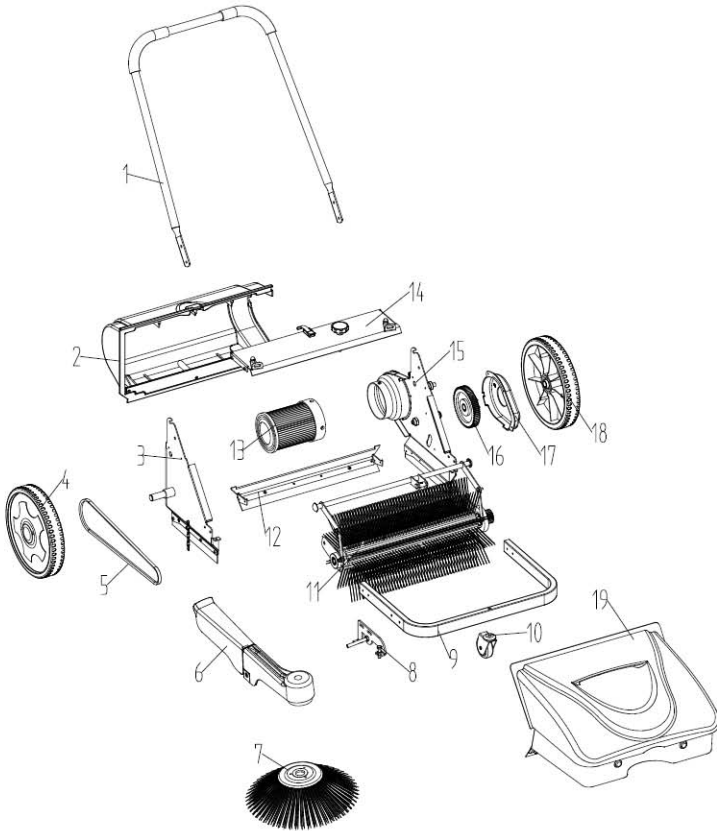


4. Install the dustproof plate on the back fo main brush.



5. Clean filter in time.

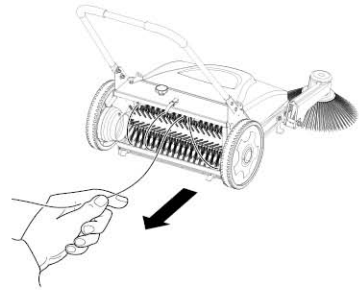
## EXPLOSION DRAWING



| Item No. | Name                        | Item No. | Name                              |
|----------|-----------------------------|----------|-----------------------------------|
| 1        | Handle                      | 11       | Roller Brush Components           |
| 2        | Back Cover Components       | 12       | Below Connecting Plate Components |
| 3        | Right-side Plate Components | 13       | Filter                            |
| 4        | Right-wheel Components      | 14       | Above Connecting Plate Components |
| 5        | Belt                        | 15       | Left Side Plate Components        |
| 6        | Brush Arm Components        | 16       | Gearwheel                         |
| 7        | Side Brush                  | 17       | Gearwheel Cover                   |
| 8        | Side Brush Arm              | 18       | Left Wheel Components             |
| 9        | U-shape Frame               | 19       | Container Components              |
| 10       | Castor                      |          |                                   |

## NOTE:

1. This Unit is designed for outdoor hard floor. Home carpet may not suitable;
2. Before Using, make sure the unit is in good and safe condition;
3. The sweeper is not suitable for sweeping up liquids. Do not sweep up burning or glowing objects, e.g. cigarettes, matches or similar;
4. Heavy stone and large size debris may unable to be collected;
5. Please lift the two side brushes when cleaning the large dust condition;
6. Please avoid sweeping long rope yarn like material to avoid brushes tangling and damage; once it happened, please take out by reversing the roller brush.



## SAFETY WARNING!

1. When sweeping and operating the machine in front of machine and children, please pay much more attention;
2. Please do not take the unit as toys for children;
3. Please do not let your hair, feet, figures, clothes etc. of your body close to the garbage collecting mouth of the unit;
4. Please do not operate the sweeper barefoot or wearing shoes with figure out;
5. Please do not sweeping stuff of heat, burning or smoking to avoid fire hazard and person injury;
6. Please do not collecting flammable and explosive and stuff and poisonous material;
7. When collecting and empty glasses or material of sharp and with hurting dangerous, please wear safety gloves;
8. Please do not operate and store the unit close to heating source;
9. Please store the unit in safety places;
10. Please use sturdy gloves when removing glass, metal or other materials from the dirt container.



[www.SweepersAustralia.com.au](http://www.SweepersAustralia.com.au)